

New
Fizi
INTERIOR DESIGN

ARON
LIGHT



New

Fizi

INTERIOR DESIGN

Fizi is an interior design luminaire, the LED's are contained within a central rod with the prevention of shadow formation. The housing itself is made of polycarbonate satin diffuser.



TECHNICAL

Information

Wattage: 30W

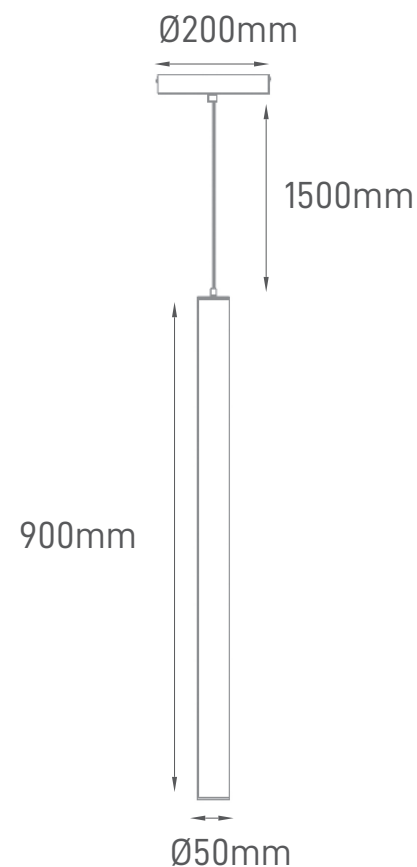
Color Temperature: 4000K

Total Luminous Flux: 3900lm

Luminous Efficacy: 130lm/W

Beam Angle: 360°

Body Material: PC+Aluminium



NEW

ARON

LIGHT

ACCESS THE PRODUCTS ON OUR WEBSITE



www.aronlight.com | geral@aronlight.pt | +351 215 846 905